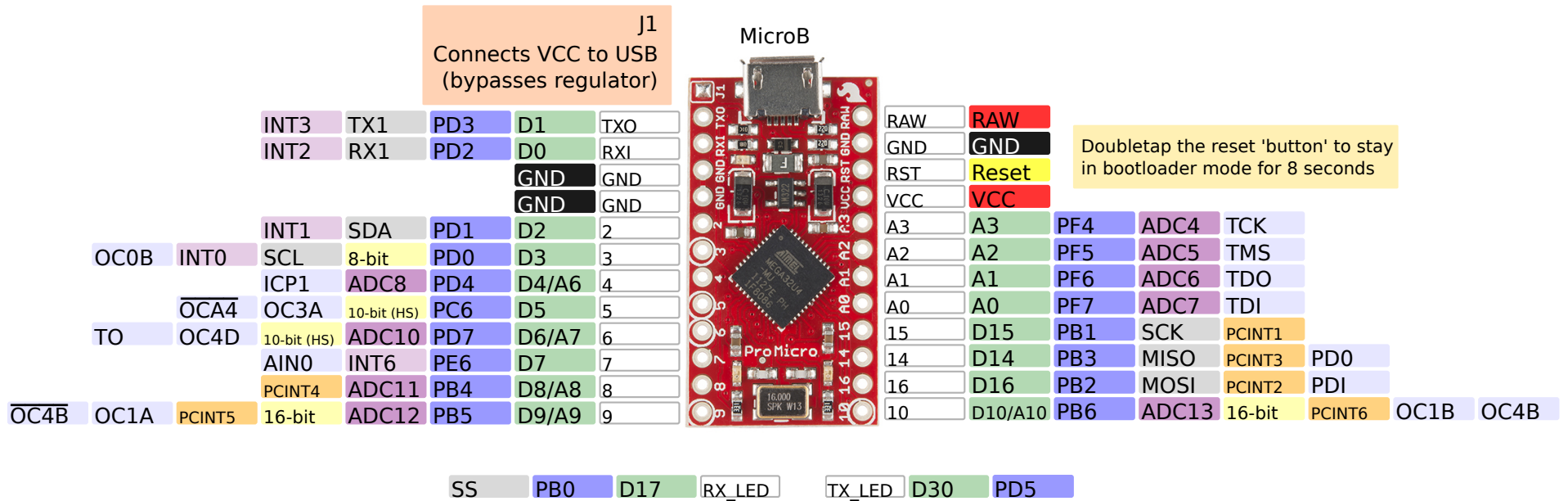


# Pro Micro (Dev-12640)

16MHz/5V

|         |               |
|---------|---------------|
| Name    | ADC           |
| Power   | PWM           |
| GND     | Serial        |
| Control | Ext Interrupt |
| Arduino | PC Interrupt  |
| Port    | Misc          |

The Arduino IDE renders all PWM pins as 8-bit



**Power**  
RAW: 6V-16V  
VCC: 5V at 500mA

**USB**  
HID enabled  
VID: 0x1B4F  
PID: 0x9205 (bootloader); 0x9206 (sketch)

ATmega32U4  
Built in USB 2.0  
Absolute maximum VCC: 6V  
Maximum current for chip: 200mA  
Maximum current per pin: 40mA  
Recommended current per pin: 20mA  
8-bit Atmel AVR  
Flash Program Memory: 32kB  
EEPROM: 1kB  
Internal SRAM 2.5kB  
ADC: 10-bit  
PWM: 8bit  
High Speed PWM with programmable resolution from 2-11 bits

**LEDs**  
Power: Red  
RX: Yellow  
TX: Green

**Serial**  
Use Serial for the USB connection  
Use Serial1 for the hardware serial connection

sparkfun.  
ELECTRONICS

CC BY SA